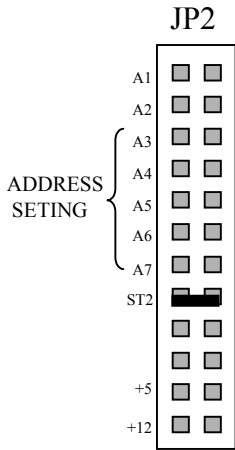


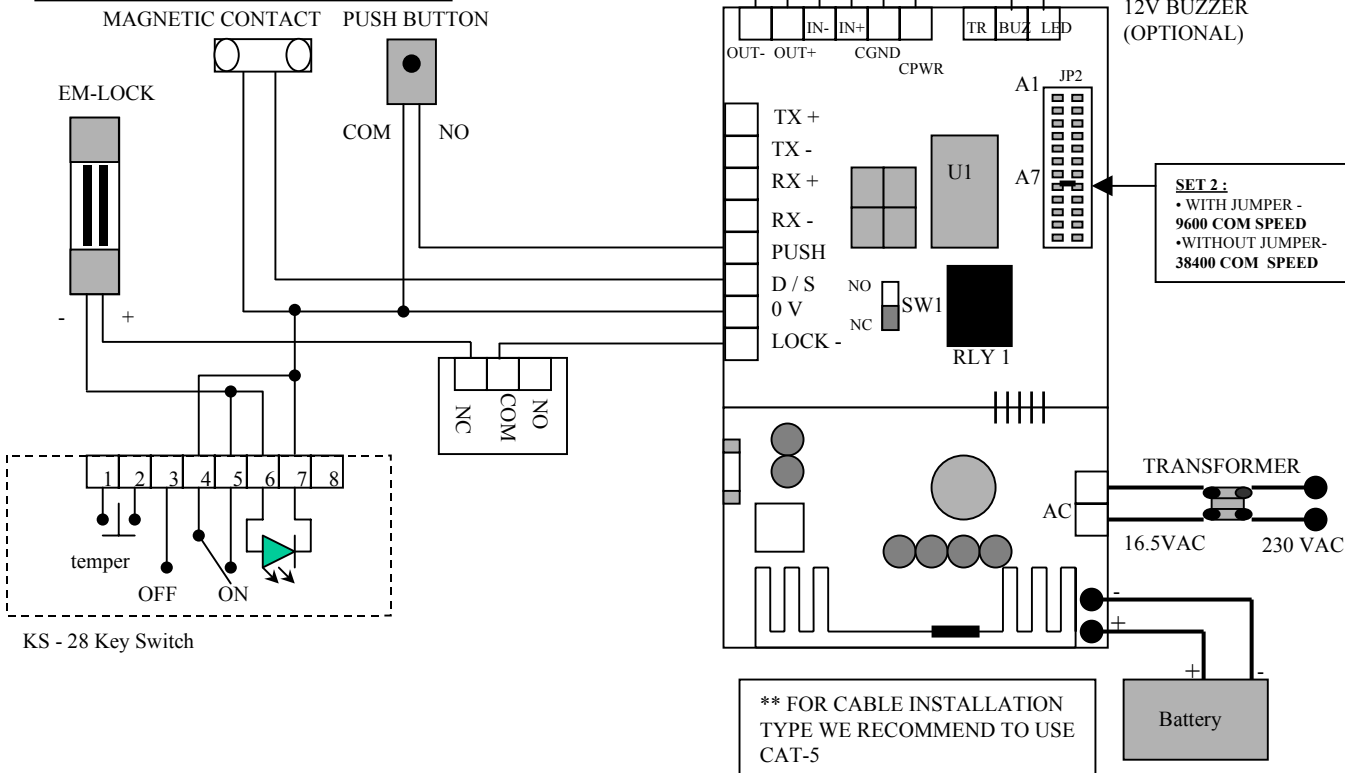
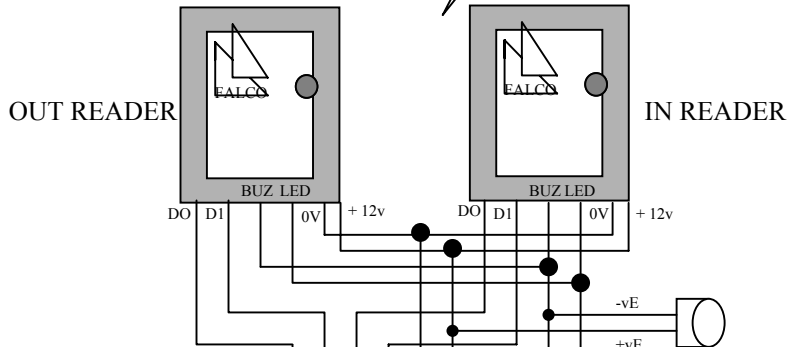
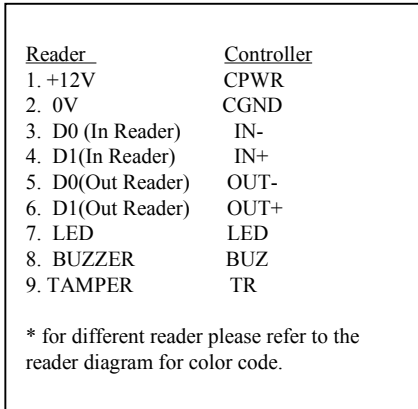
ADDRESS SETTING

A 1	A 2	A 3	A 4	A 5		A 1	A 2	A 3	A 4	A 5	
					0					ON	1 6
ON					1	ON				ON	1 7
	ON				2		ON			ON	1 8
ON	ON				3	ON	ON			ON	1 9
		ON			4			ON		ON	2 0
ON		ON			5	ON		ON		ON	2 1
	ON	ON			6		ON	ON		ON	2 2
ON	ON	ON			7	ON	ON	ON		ON	2 3
			ON		8				ON	ON	2 4
ON			ON		9	ON			ON	ON	2 5
	ON		ON		1 0		ON		ON	ON	2 6
ON	ON		ON		1 1	ON	ON		ON	ON	2 7
		ON	ON		1 2			ON	ON	ON	2 8
ON		ON	ON		1 3	ON		ON	ON	ON	2 9
	ON	ON	ON		1 4		ON	ON	ON	ON	3 0
ON	ON	ON	ON		1 5	ON	ON	ON	ON	ON	3 1



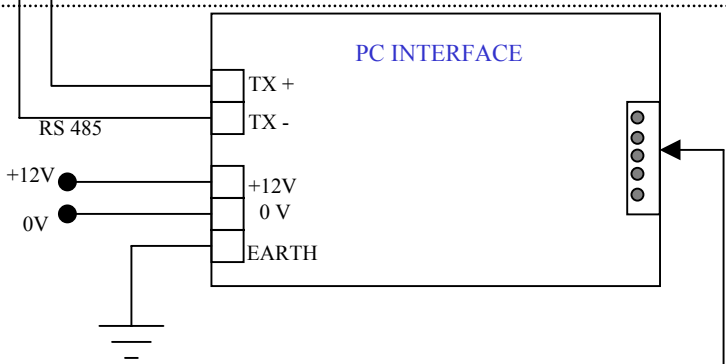
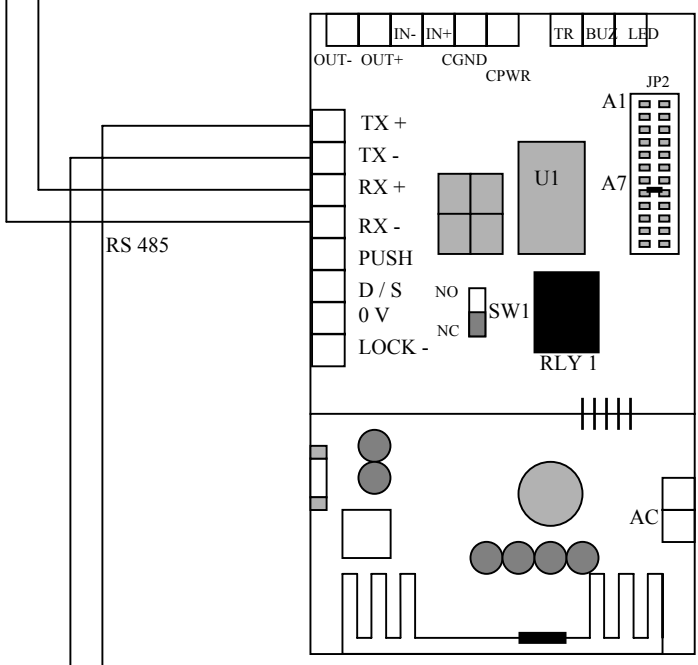
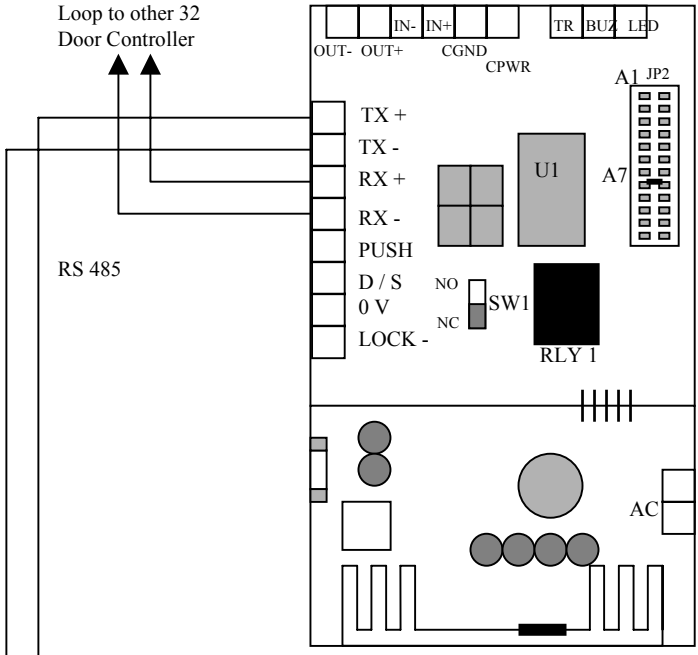
ATTN: THIS IS NEW READER

- +12V---- RED
- 0V ----BLACK
- D1----WHITE
- D0----GREEN
- LED----ORANGE
- BUZZ----YELLOW



Link PC with Door Controller through PCI

2 WIRES

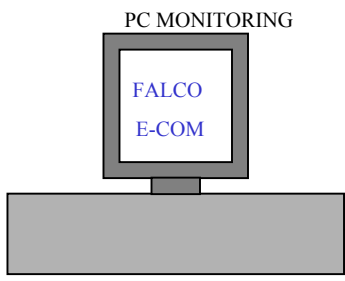


PCI connect to PC through the RS 232 cable with a 9 pin female connector. The pins numbering on 9 pin connector follows the numbering as stated on the PCI board.

Cable Specification:
 Normal alarm Cable <50m
 CAT-5 cable <100m
 Belden 1419A <1km

Note:
 All joint must be solder and tape appropriately

UPDATE: 11/03/04
VERSION: V8.25
 BY FOO



NOTE

- RS 485 cable to connect controller to PCI (1km)
- - - - RS 232 cable to connect from PCI to PC (100m)