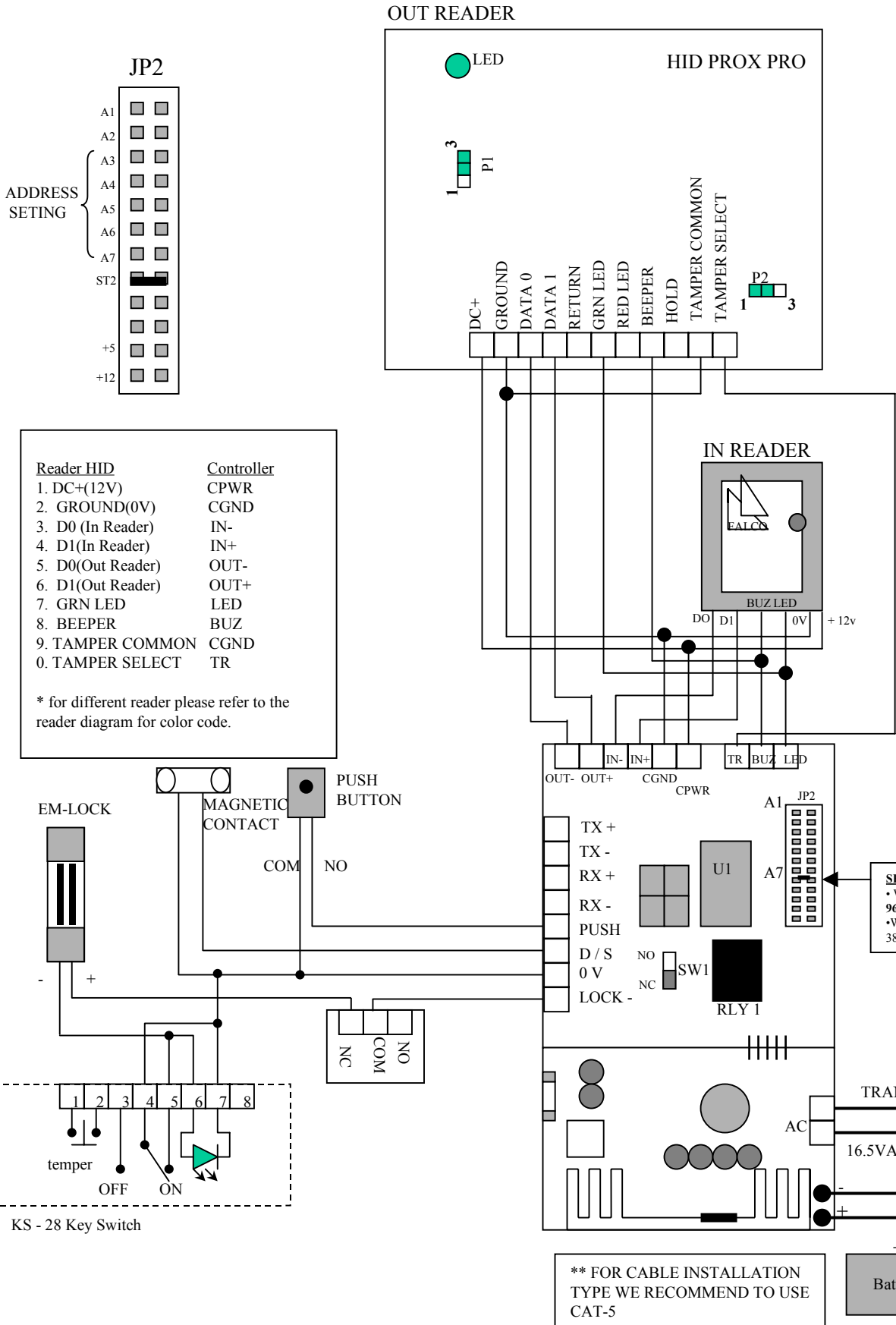


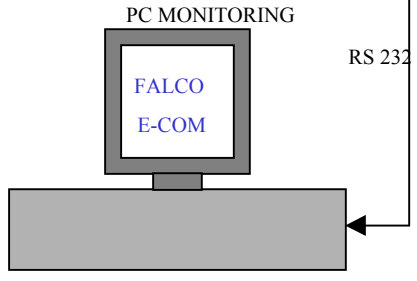
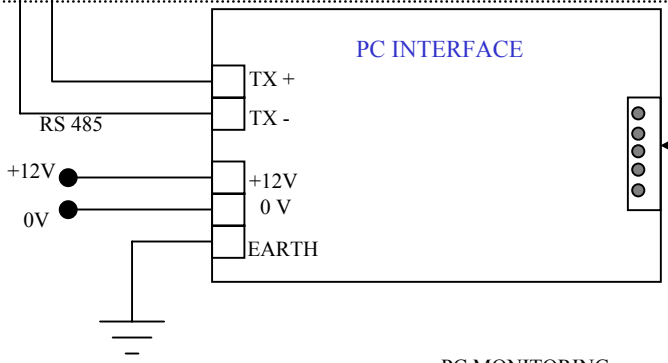
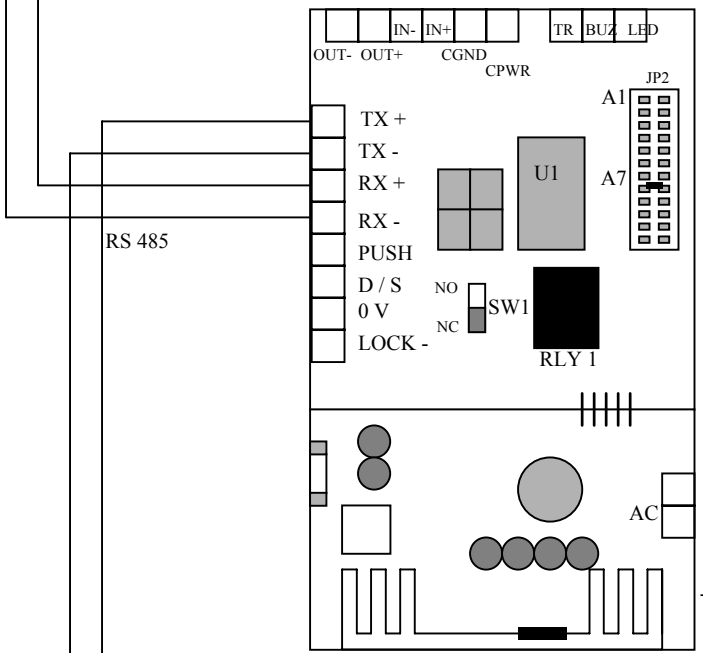
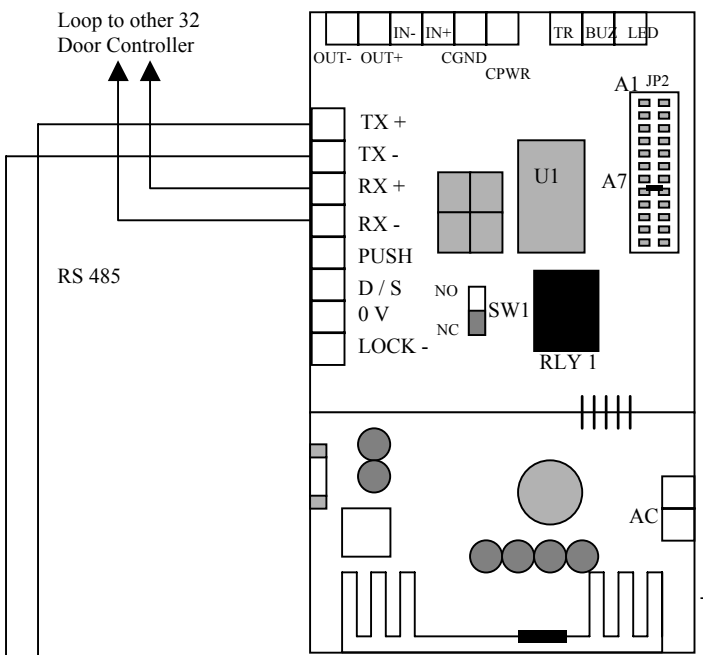
FALCO E-COM

Door Controller Connection and Setting - HID PROXPRO Reader



Link PC with Door Controller through PCI

2 WIRES



PCI connect to PC through the RS 232 cable with a 9 pin female connector. The pins numbering on 9 pin connector follows the numbering as stated on the PCI board.

Cable Specification:
 Normal alarm Cable <50m
 CAT-5 cable <100m
 Belden 1419A <1km

Note:
 All joint must be solder and tape appropriately

UPDATE: 30/07/03
VERSION: V8.25
 BY AZRIN

NOTE

- RS 485 cable to connect controller to PCI (1km)
- - - RS 232 cable to connect from PCI to PC (100m)