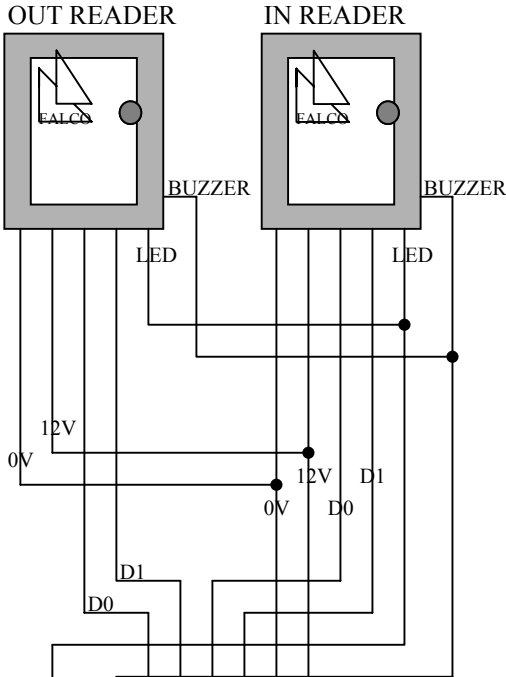


FALCO Barrier System with AYHR-02 Reader



AYHR-02 Reader Notes:

- Red >> +DC (12V)
 - Black >> Ground (0V)
 - Green >> Data0 (D0)
 - White >> Data1 (D1)
 - Orange >> Green LED (LED)
 - Brown >> Red LED*
 - Yellow >> Beepper (BUZZER)
 - Blue >> Hold / Card Present*
 - Gray >> Mode*
 - Purple >> Tamper*
- Take note that the *line is not use.

ADDRESS SETTING

A 1	A 2	A 3	A 4	A 5		A 1	A 2	A 3	A 4	A 5	
					0						ON 16
ON					1	ON					ON 17
	ON				2		ON				ON 18
ON	ON				3	ON	ON				ON 19
		ON			4			ON			ON 20
ON		ON			5	ON			ON		ON 21
	ON	ON			6		ON	ON			ON 22
ON		ON			7	ON	ON	ON			ON 23
			ON		8				ON		ON 24
ON			ON		9	ON			ON	ON	ON 25
	ON			ON	10		ON			ON	ON 26
ON	ON			ON	11	ON	ON			ON	ON 27
		ON	ON		12			ON	ON		ON 28
ON		ON	ON		13	ON			ON	ON	ON 29
	ON	ON	ON		14		ON	ON	ON		ON 30
ON	ON	ON	ON		15	ON	ON	ON	ON		ON 31

