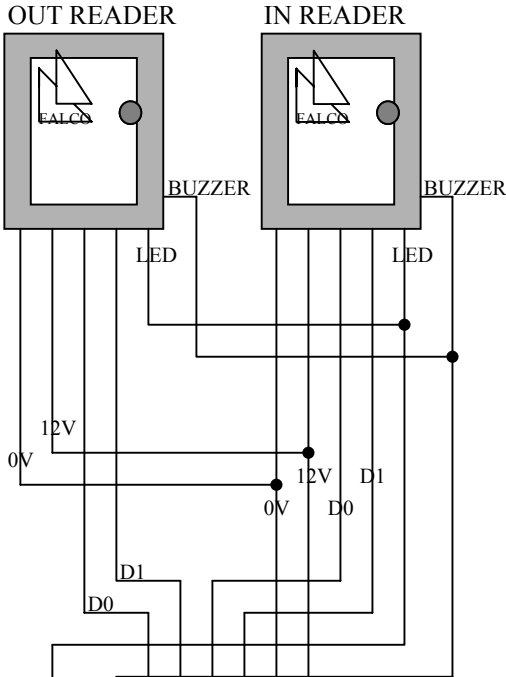


FALCO Barrier System with AYHR-02 Reader

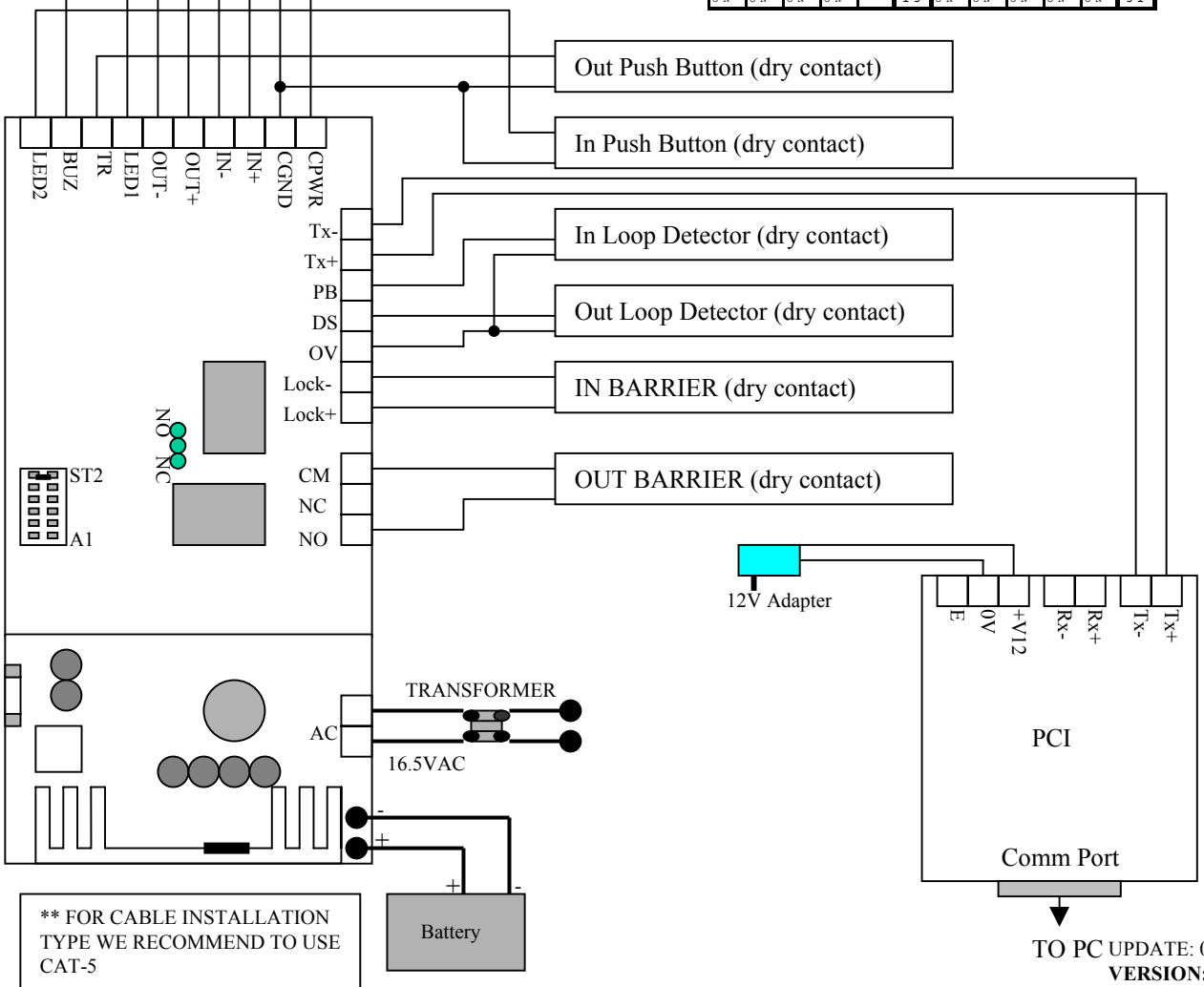


AYHR-02 Reader Notes:

- Red >> +DC (12V)
 - Black >> Ground (0V)
 - Green >> Data0 (D0)
 - White >> Data1 (D1)
 - Orange >> Green LED (LED)
 - Brown >> Red LED*
 - Yellow >> Beepper (BUZZER)
 - Blue >> Hold / Card Present*
 - Gray >> Mode*
 - Purple >> Tamper*
- Take note that the *line is not use.

ADDRESS SETTING

A 1	A 2	A 3	A 4	A 5		A 1	A 2	A 3	A 4	A 5	
ON					0	ON				ON	16
					1	ON				ON	17
	ON				2		ON			ON	18
ON	ON				3	ON	ON			ON	19
		ON			4			ON		ON	20
ON		ON			5	ON		ON		ON	21
	ON	ON			6		ON	ON		ON	22
ON	ON	ON			7	ON	ON	ON		ON	23
			ON		8				ON	ON	24
ON			ON		9	ON			ON	ON	25
	ON		ON		10		ON		ON	ON	26
ON	ON		ON		11	ON	ON		ON	ON	27
		ON	ON		12			ON	ON	ON	28
ON		ON	ON		13	ON			ON	ON	29
	ON	ON	ON		14		ON	ON	ON	ON	30
ON	ON	ON	ON		15	ON	ON	ON	ON	ON	31



** FOR CABLE INSTALLATION TYPE WE RECOMMEND TO USE CAT-5

TO PC UPDATE: 04/12/03

VERSION:
7.26NCP
BY AZRIN