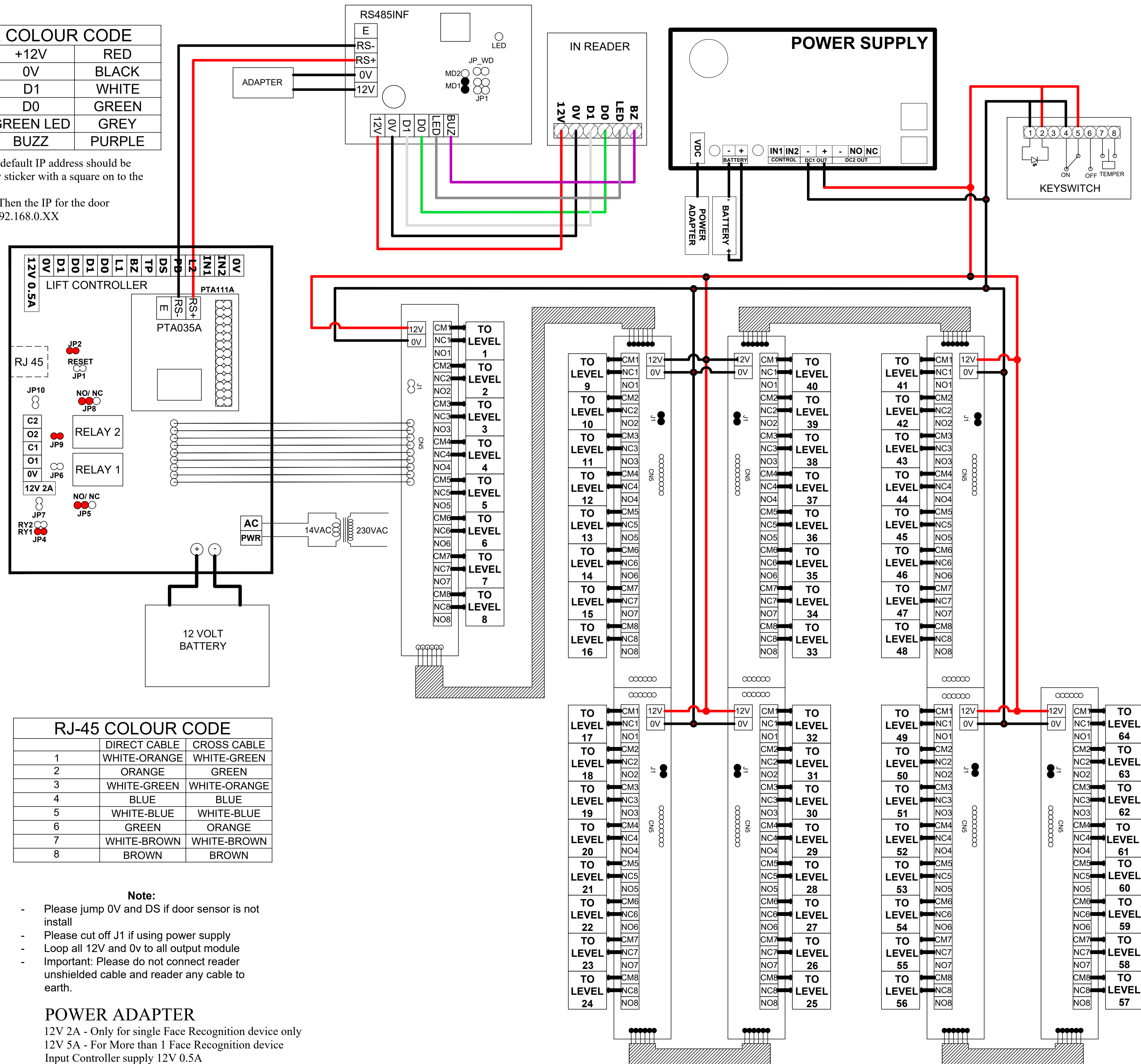


LIFT CONTROLLER (2W)

READER COLOUR CODE		
1	+12V	RED
2	0V	BLACK
3	D1	WHITE
4	D0	GREEN
5	GREEN LED	GREY
6	BUZZ	PURPLE

IP ADDRESS: The default IP address should be showed on a warranty sticker with a square on to the numbers.
 Example: XXXXX. Then the IP for the door controller would be 192.168.0.XX



RJ-45 COLOUR CODE		
1	DIRECT CABLE	CROSS CABLE
2	WHITE-ORANGE	WHITE-GREEN
3	ORANGE	GREEN
4	WHITE-GREEN	WHITE-ORANGE
5	BLUE	BLUE
6	WHITE-BLUE	WHITE-BLUE
7	GREEN	ORANGE
8	WHITE-BROWN	WHITE-BROWN
8	BROWN	BROWN

- Note:**
- Please jump 0V and DS if door sensor is not install
 - Please cut off J1 if using power supply
 - Loop all 12V and 0v to all output module
 - Important: Please do not connect reader unshielded cable and reader any cable to earth.

POWER ADAPTER

12V 2A - Only for single Face Recognition device only
 12V 5A - For More than 1 Face Recognition device
 Input Controller supply 12V 0.5A
 Output Controller supply 12V 2A