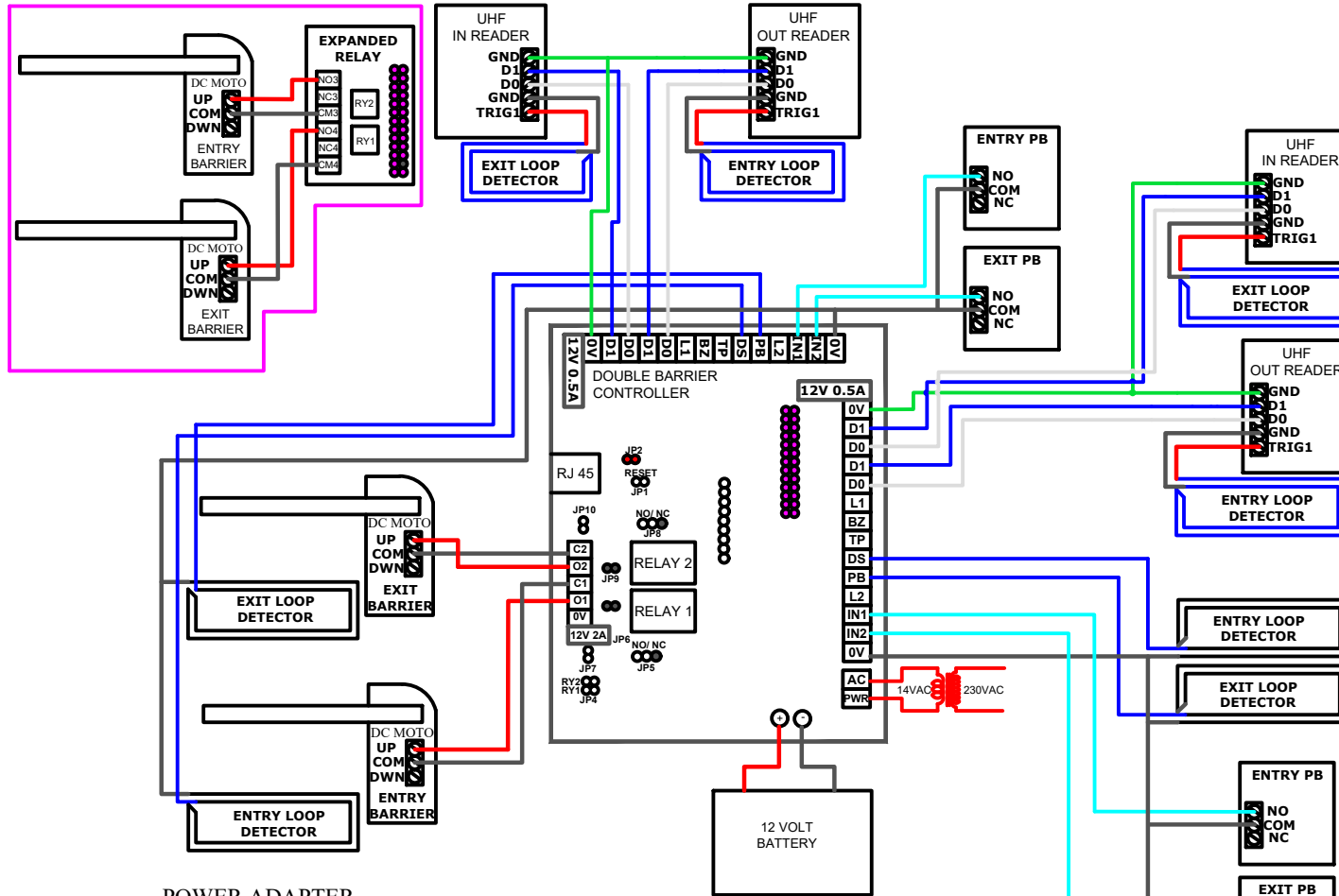


DOUBLE BARRIER CONTROLLER



READER COLOUR CODE		
1	GND	GREEN
2	D1	BLUE
3	D0	WHITE
4	GND	BLACK
5	TRIG1	RED

RJ-45 COLOUR CODE		
	DIRECT CABLE	CROSS CABLE
1	WHITE-ORANGE	WHITE-GREEN
2	ORANGE	GREEN
3	WHITE-GREEN	WHITE-ORANGE
4	BLUE	BLUE
5	WHITE-BLUE	WHITE-BLUE
6	GREEN	ORANGE
7	WHITE-BROWN	WHITE-BROWN
8	BROWN	BROWN

RELAY SETTING		
	1	2
POWER-LOCK	RY1-CLOSE JP7-CLOSE JP6-OPEN	RY2-CLOSE JP10-CLOSE JP9-OPEN
DRYCONTACT-LOCK	RY1-OPEN JP7-OPEN JP6-CLOSE	RY2-OPEN JP10-OPEN JP9-CLOSE
NORMALLY OPEN	JP5 JP8	JP5 JP8

Note:

- In Loop Detector (PB) must be connected to 0V if In Entry Loop Detector is not use
- Out Loop Detector (DS) must be connected to 0V if Out Entry Loop Detector is not use
- JP5 and JP6 are to set the respective relay to normally open and closed All relay are set to normally open for Car Park Barrier and are of dry contact
- Important: Please do not connect reader unshielded cable and reader any cable to earth.

IP ADDRESS: The default IP address should be showed on a warranty sticker with a square on to the numbers.

Example: XXXXX. Then the IP for the door controller would be 192.168.0.XX

POWER ADAPTER

12V 2A - Only for single Face Recognition device only
 12V 5A - For More than 1 Face Recognition device
 Input Controller supply 12V 0.5A
 Output Controller supply 12V 2A