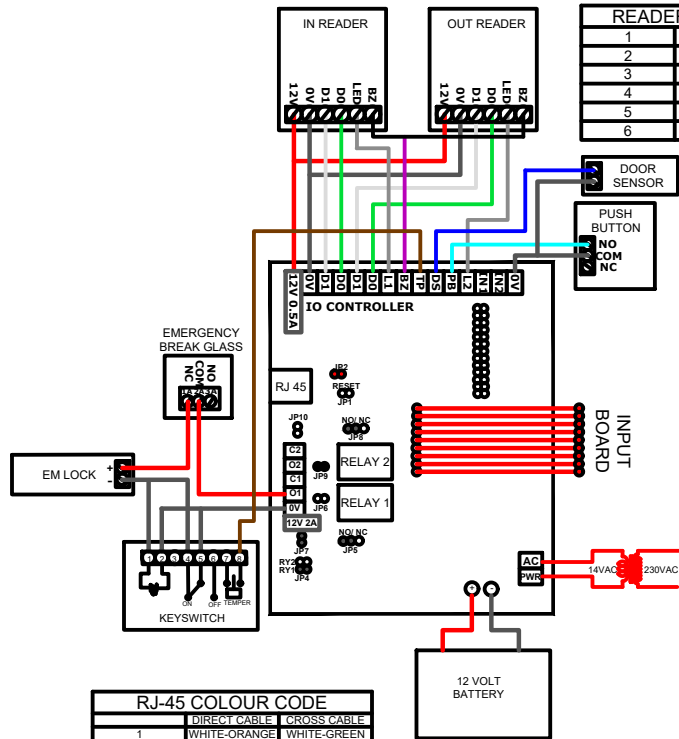


# I/O CONTROLLER



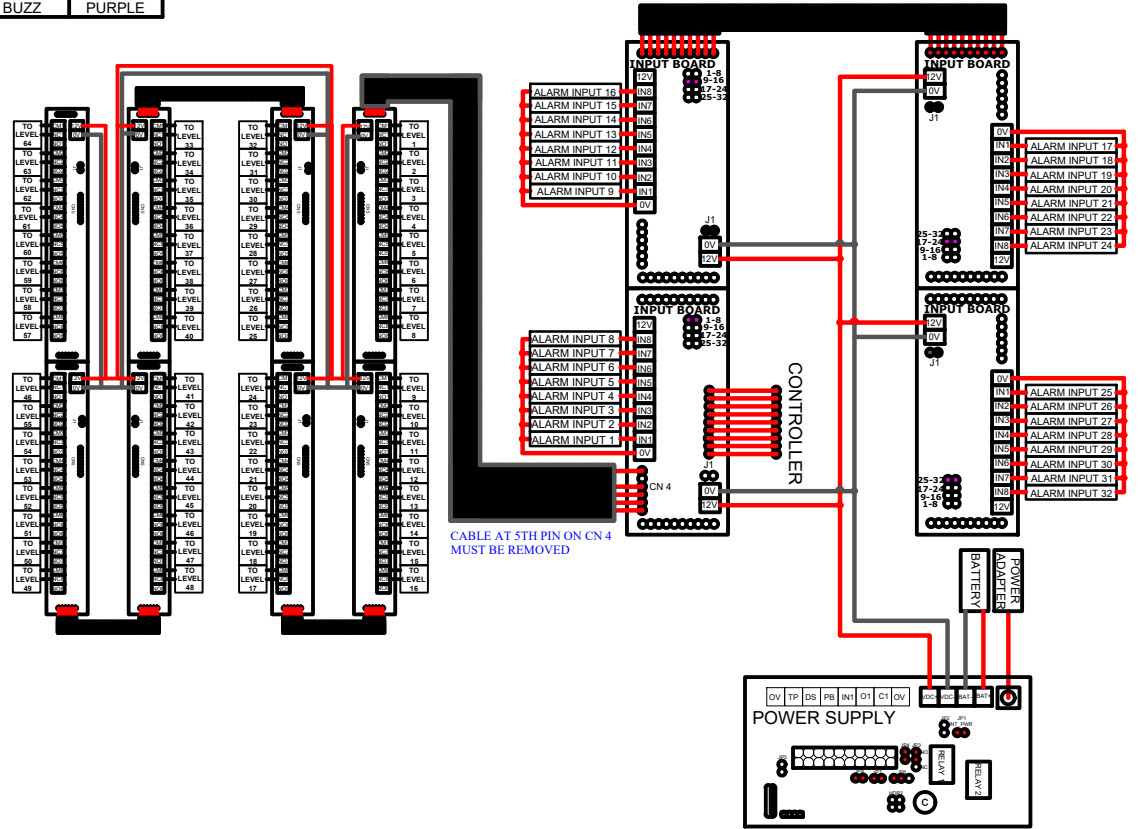
READER COLOUR CODE		
1	+12V	RED
2	0V	BLACK
3	D1	WHITE
4	D0	GREEN
5	GREEN LED	GREY
6	BUZZ	PURPLE

- Note:**
- Please jump 0V and DS if door sensor is not install
  - Please cut off J1 if using power supply
  - Loop all 12V and 0v to all output module
  - Important: Please do not connect reader unshielded cable and reader any cable to earth.

**POWER ADAPTER**  
 12V 2A - Only for single Face Recognition device only  
 12V 5A - For More than 1 Face Recognition device  
 Input Controller supply 12V 0.5A  
 Output Controller supply 12V 2A

RJ-45 COLOUR CODE		
	DIRECT CABLE	CROSS CABLE
1	WHITE-ORANGE	WHITE-GREEN
2	ORANGE	GREEN
3	WHITE-GREEN	WHITE-ORANGE
4	BLUE	BLUE
5	WHITE-BLUE	WHITE-BLUE
6	GREEN	ORANGE
7	WHITE-BROWN	WHITE-BROWN
8	BROWN	BROWN

**IP ADDRESS:** The default IP address should be showed on a warranty sticker with a square on to the numbers.  
 Example: XXXXX. Then the IP for the door controller would be 192.168.0.XX



CABLE AT 5TH PIN ON CN 4 MUST BE REMOVED