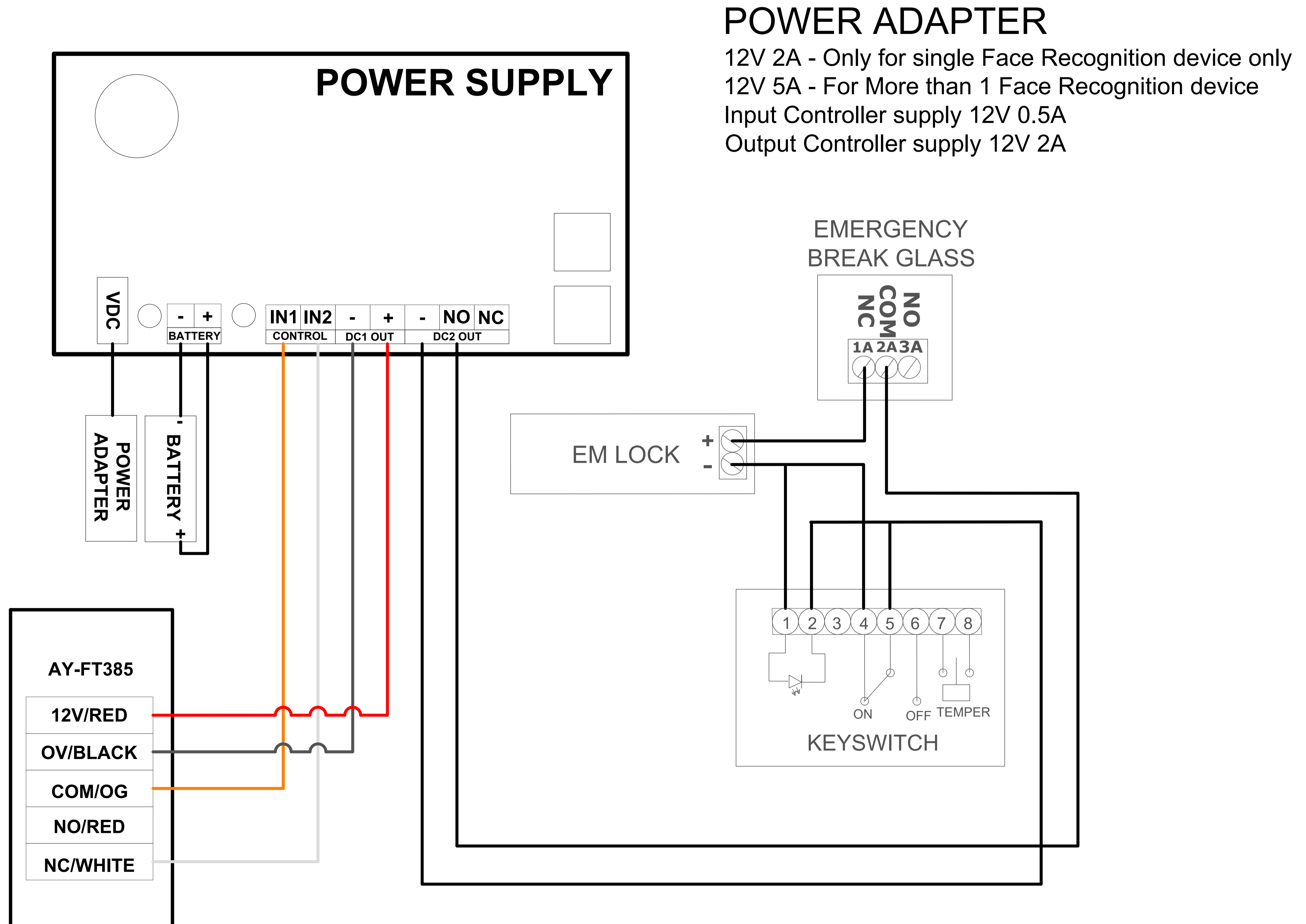


AY-FT 385 Standalone



POWER ADAPTER

12V 2A - Only for single Face Recognition device only

12V 5A - For More than 1 Face Recognition device

Input Controller supply 12V 0.5A

Output Controller supply 12V 2A