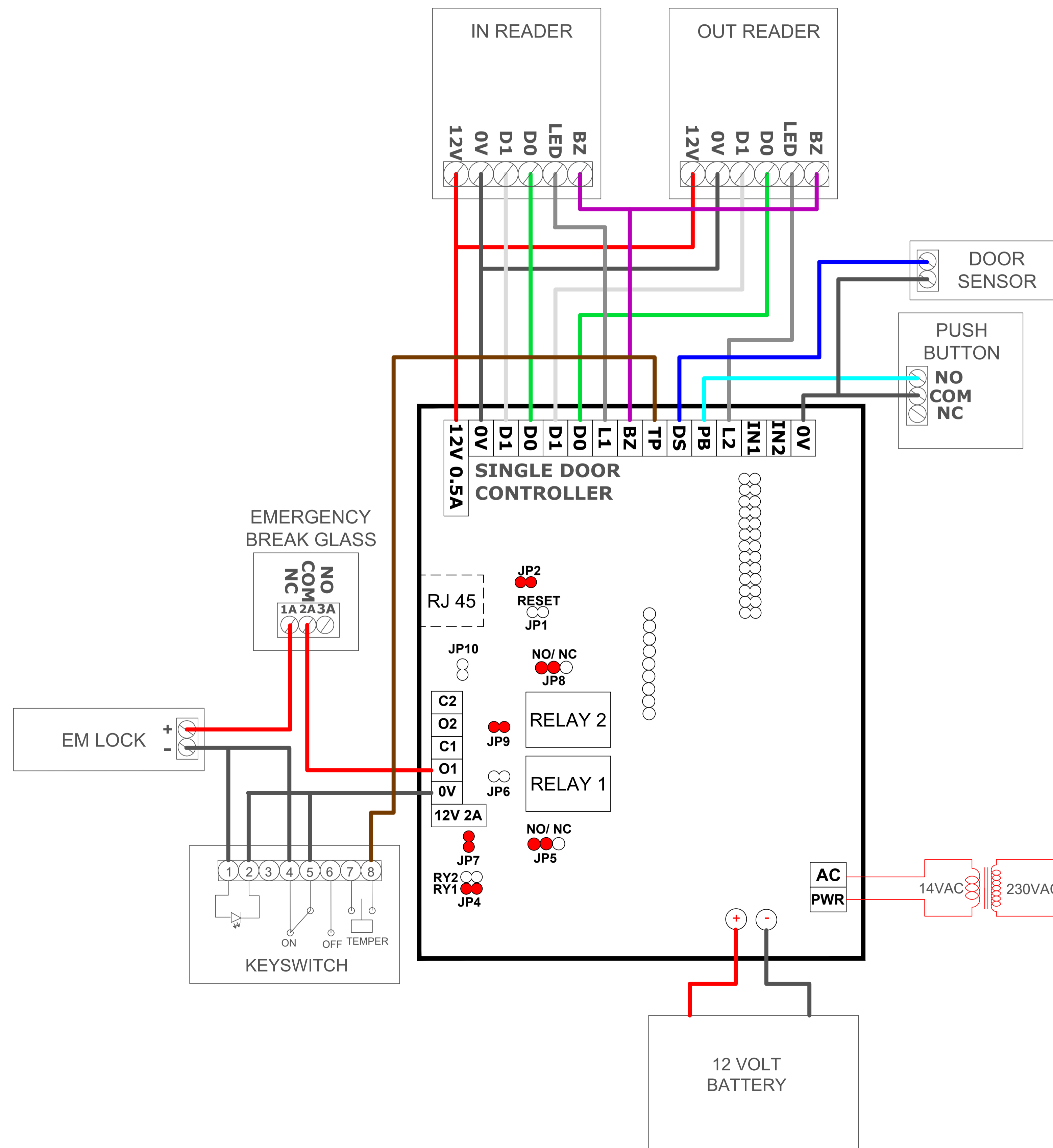


SINGLE DOOR CONTROLLER



Pin	Voltage/Signal	Colour
1	+12V	RED
2	0V	BLACK
3	D1	WHITE
4	D0	GREEN
5	GREEN LED	GREY
6	BUZZ	PURPLE

Pin	DIRECT CABLE	CROSS CABLE
1	WHITE-ORANGE	WHITE-GREEN
2	ORANGE	GREEN
3	WHITE-GREEN	WHITE-ORANGE
4	BLUE	BLUE
5	WHITE-BLUE	WHITE-BLUE
6	GREEN	ORANGE
7	WHITE-BROWN	WHITE-BROWN
8	BROWN	BROWN

	1	2
POWER-LOCK	RY1-CLOSE JP7-CLOSE JP6-OPEN	RY2-CLOSE JP10-CLOSE JP9-OPEN
DRYCONTACT-LOCK	RY1-OPEN JP7-OPEN JP6-CLOSE	RY2-OPEN JP10-OPEN JP9-CLOSE
NORMALLY OPEN	JP5 JP8	JP5 JP8

IP ADDRESS: The default IP address should be showed on a warranty sticker with a square on to the numbers.
 Example: XXXXX. Then the IP for the door controller would be 192.168.0.XX

POWER ADAPTER
 12V 2A - Only for single Face Recognition device only
 12V 5A - For More than 1 Face Recognition device
 Input Controller supply 12V 0.5A
 Output Controller supply 12V 2A