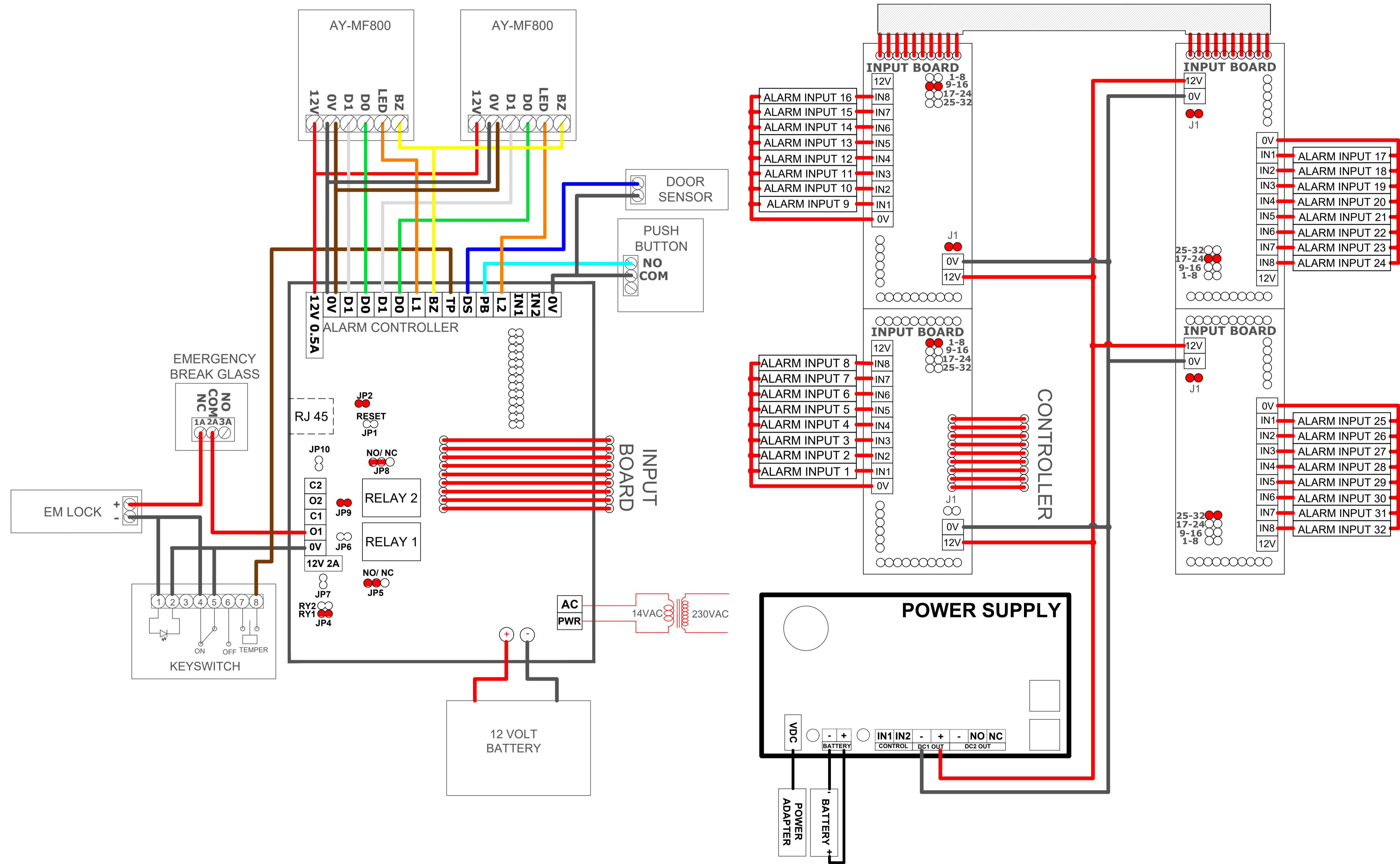


# ALARM CONTROLLER



**INFORMATION:**

AY-EM800 TX no need to short with 0V  
 AY-MF800 TX need to short with 0V  
 AY-DF800 TX need to short with 0V

READER COLOUR CODE		
1	+12V	RED
2	0V	BLACK
3	D1	WHITE
4	D0	GREEN
5	GREEN LED	ORANGE
6	BUZZ	YELLOW
7	TX	BROWN
8	RX	BLUE

**Note:**

- Please jump 0V and DS if door sensor is not install
- Please jump 0V and TP if door sensor is not install
- Please cut off J1 if using power supply
- Loop all 12V and 0v to all output module
- Important: Please do not connect reader unshielded cable and reader any cable to earth.

IP ADDRESS: The default IP address should be showed on a warranty sticker with a square on to the numbers.  
 Example: XXXXX. Then the IP for the door controller would be 192.168.0.XX

RELAY SETTING		
	1	2
POWER-LOCK	RY1-CLOSE JP7-CLOSE JP6-OPEN	RY2-CLOSE JP10-CLOSE JP9-OPEN
DRYCONTACT-LOCK	RY1-OPEN JP7-OPEN JP6-CLOSE	RY2-OPEN JP10-OPEN JP9-CLOSE
NORMALLY OPEN	JP5 JP8	JP5 JP8

**POWER ADAPTER**

12V 2A - Only for single Face Recognition device only  
 12V 5A - For More than 1 Face Recognition device  
 Input Controller supply 12V 0.5A  
 Output Controller supply 12V 2A

RJ-45 COLOUR CODE		
	DIRECT CABLE	CROSS CABLE
1	WHITE-ORANGE	WHITE-GREEN
2	ORANGE	GREEN
3	WHITE-GREEN	WHITE-ORANGE
4	BLUE	BLUE
5	WHITE-BLUE	WHITE-BLUE
6	GREEN	ORANGE
7	WHITE-BROWN	WHITE-BROWN
8	BROWN	BROWN