

1 DR TCP/IP WITH EXPANSION DOOR

ATTN: THIS IS FOR AY-HO20
READER ONLY

- +12V---- RED
- 0V ----BLACK
- D1----WHITE
- D0----GREEN
- GLED----ORANGE
- TAMPER----PURPLE
- BUZZ----YELLOW

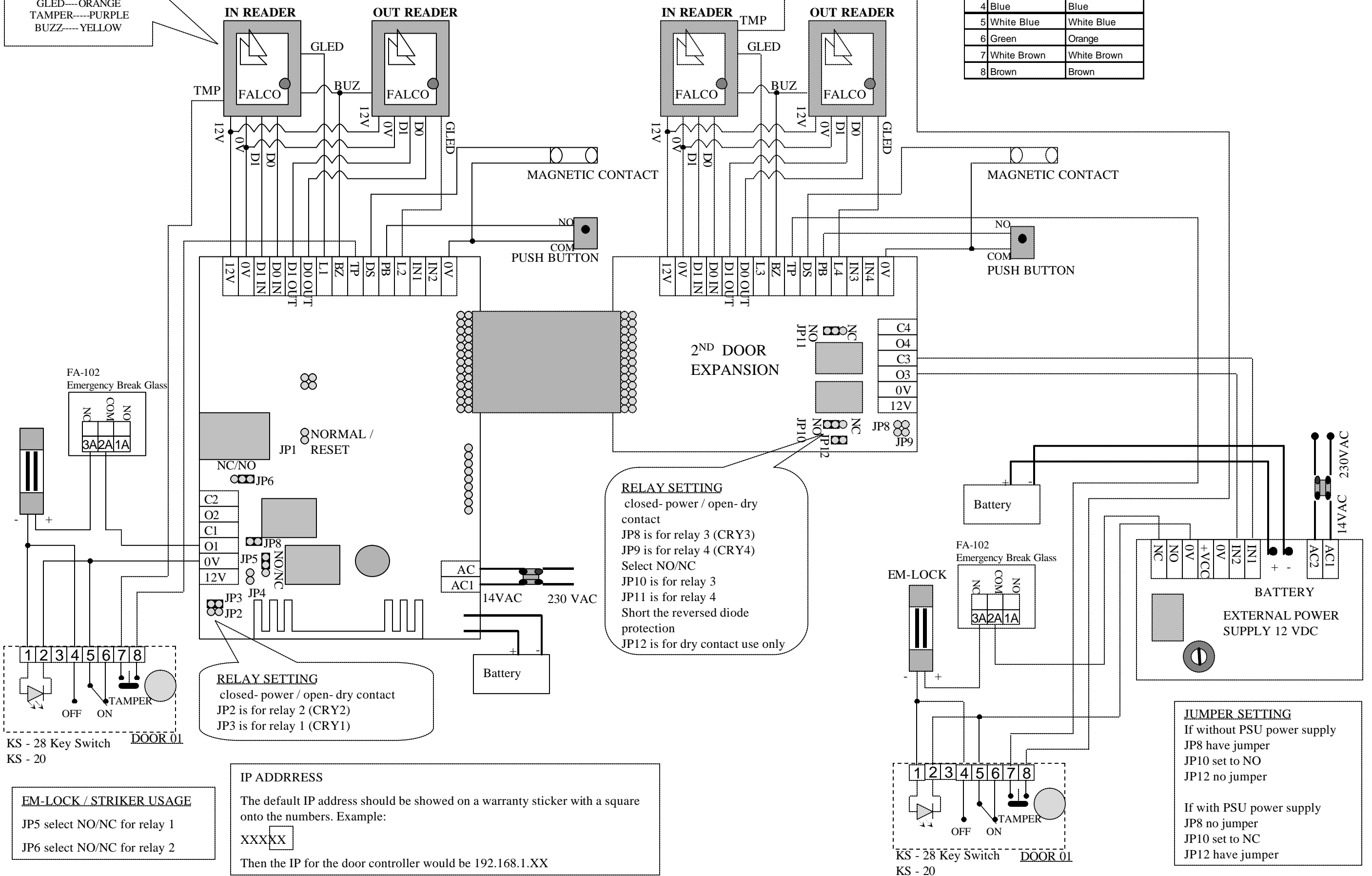
Important Note:

DS and 0V must be short if door sensor is not installed.

RJ45 CONNECTOR COLOUR CODE		
	DIRECT CABLE	CROSS CABLE
1	White Orange	White Green
2	Orange	Green
3	White Green	White Orange
4	Blue	Blue
5	White Blue	White Blue
6	Green	Orange
7	White Brown	White Brown
8	Brown	Brown

INPUT 1 & 2

- dry contact
- To trigger the relay



RELAY SETTING
closed- power / open- dry contact
JP8 is for relay 3 (CRY3)
JP9 is for relay 4 (CRY4)
Select NO/NC
JP10 is for relay 3
JP11 is for relay 4
Short the reversed diode protection
JP12 is for dry contact use only

RELAY SETTING
closed- power / open- dry contact
JP2 is for relay 2 (CRY2)
JP3 is for relay 1 (CRY1)

JUMPER SETTING
If without PSU power supply
JP8 have jumper
JP10 set to NO
JP12 no jumper

If with PSU power supply
JP8 no jumper
JP10 set to NC
JP12 have jumper

KS - 28 Key Switch DOOR 01
KS - 20

KS - 28 Key Switch DOOR 01
KS - 20

EM-LOCK / STRIKER USAGE
JP5 select NO/NC for relay 1
JP6 select NO/NC for relay 2

IP ADDRESS
The default IP address should be showed on a warranty sticker with a square onto the numbers. Example:
XXXXXX
Then the IP for the door controller would be 192.168.1.XX