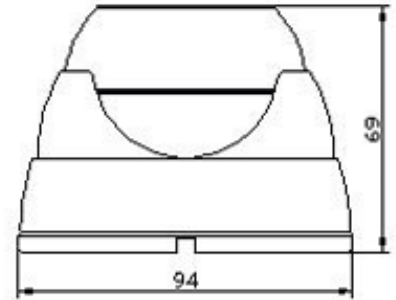
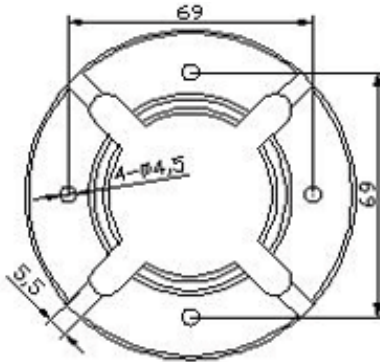


SK-DMC632HL



COLOR VANDAL PROOF IR DOME CAMERA



~ Features ~

- 1/3" SONY CCD
- 420TV Lines
- 0 Lux up to 15m (IR LED On)
- Day & Night function by Color Kill
- 24pcs IR LED with CDS sensor
- Wide voltage range : 12VDC
- Low Power Consumption : <0.2A (LED On)
- Dip switch control :
 - Mirror & BLC : On/Off
- Lens : 3.6mm standard,

~ Specifications ~

Model	SK-DMC632HL
Image Sensor	1/3" SONY CCD
Effective Pixels	500(H) x 582(V)
Synchronization	Internal
Lens	3.6mm Standard
Horizontal Resolution	420 TV Lines
Minimum Illumination	0 Lux up to 15m
S/N Ratio	48dB
Electronic Iris	1/60 to 1/100,000s
Video Output	1Vp-p Video Composite
Power Consumption	12VDC (8-18VDC), 2.0W Max.
Operating Temperature	-10° to +55° C